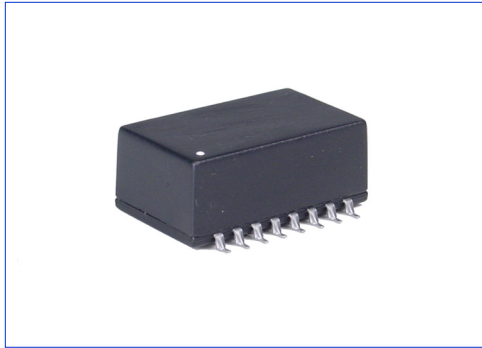


VDSL LINE TRANSFORMER



T4X401S



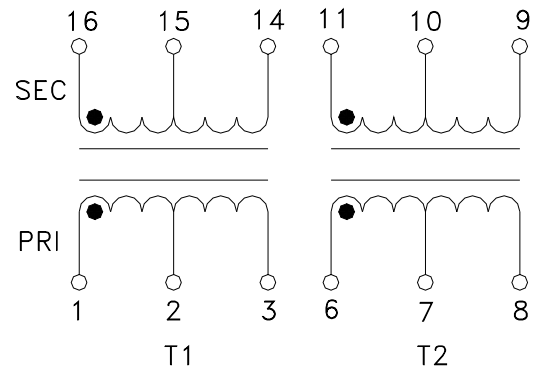
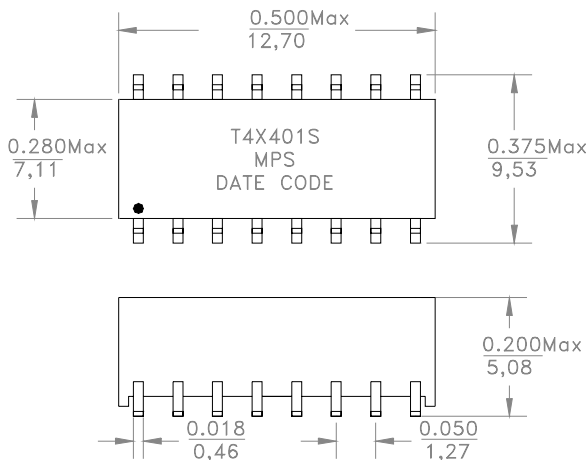
- CONEXANT ACCELITY, ACCELITY I & II CHIPSET
- RoHS compliant product
- Operating Temperature: -40°C to +85°C
- Inductance measured @ 100KHz, 0.1V_{RMS}
- Leakage Inductance: 100nH Max
- Interwinding Capacitance: 6pF Max
- Hipot: 1500V_{RMS}

ELECTRICAL SPECIFICATION @ 25°C

PART NO	TURNS RATIO ±2% PRI:SEC	Lp Min μH 1-3/6-8	BAND WIDTH MHz	RETURN LOSS dB Min 8-240MHz	RETURN LOSS dB Min 5-100MHz	DCR Ω Max 1-3/6-8
T4X401S	1CT:1CT	36.0	1-320	-15	-20	0.300

Mechanical

Schematic



Dimensions

Unless otherwise specified, all tolerances are:
 inch: .XX : ± 0.015 .XXX : ±0.004
 mm: X,X : ± 0,38 X,XX : ±0,10

Product performance is limited to specified parameter. Data is subject to change without prior notice.

T4X401S
07391W

2463 208th, Ste. 205
Torrance, CA 90501

Phone: (310)533-1455
Fax: (310)533-1853

<http://www.mpsind.com>
Email: sales@mpsind.com